

## Product Description



FlowPro's Eye-Q Series meters are fixed insertion water flowmeters that work in pipe sizes from 4" to 12" and can be installed in minutes. They provide highly accurate, real time flow monitoring. The 2 wire pulse version is powered and supplies signal over just 2 wires.

## Specifications

<b>Pipe Sizes</b>	4" to 12"
<b>Flow Range</b>	
	4": 25.0 to 500.0 GPM 6": 50.0 to 1100.0 GPM 8": 100.0 to 1900.0 GPM 10": 150.0 to 3000.0 GPM 12": 225.0 to 4200.0 GPM
<b>Accuracy</b>	+/-2% of reading
<b>Stability</b>	0.25% over 5 years
<b>Update Rate</b>	1.7 seconds
<b>Construction Materials</b>	
-Vortex Generator	Stainless Steel
-Vortex Sensor	EPDM Rubber (wetted surface)
-Meter Body	ABS
<b>Installation</b>	
-Meter Orientation	All orientations acceptable *pipe must be full
-Special Requirements	10 diameters upstream straight run, 5 diameters downstream for guaranteed meeting of accuracy specification.
<b>Power</b>	See Electrical Interface Specification Section

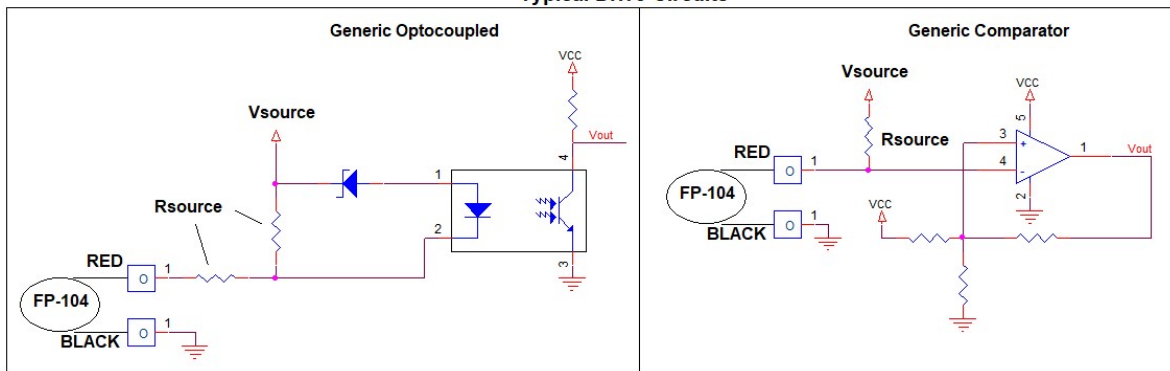
### Electrical Interface Specifications:

<b>Frequency</b>	Exact To Be Determined. <b>Min: 1Hz; Max: 100Hz</b>
<b>Pulse Width</b>	1ms
<b>Current</b>	900uA @ 0.5Vdc to 40Vdc
<b>Vhigh</b>	Supply voltage - (900uA * Supply Impedance)
<b>Vlow (ON state)</b>	1Vdc @ up to 25mA
<b>Vsource (min)</b>	9V @ Max Source Impedance 1000 ohms (*See Note 1)

**NOTE 1:** Maximum impedance at any source voltage can be determined by the following equation:

$$R_{source-max} = V_{source} / (0.08 / V_{source})$$

#### Typical Drive Circuits



### Cable Specifications:

<b>Included cable</b>	18awg solid copper, Red for positive, Black for negative
<b>Attached Lead Length</b>	12"
<b>Maximum Lead Extension</b>	1000 feet with twisted pair shielded
<b>Connection</b>	Leak tight wire nuts preferred

### Conversion Equations:

Frequency = GPM/K

GPM = Frequency \* K

Pipe Size	K
4"	6.25
6"	12.5
8"	25.0
10"	37.5
12"	50.0